



SophiaFramework®

FOR FAST CREATION OF RICH-GUI BREW APPLICATIONS



Whether you are a beginner or an expert
SophiaFramework increases your productivity by 300%

Developer-friendly
GUI engine

Full and convenient
C++ library
by default

Effectiveness
proven
by many BREW applications
on the market

:: Demo Applications



◆ SophiaWindows demo

An application that demonstrates how to virtually enlarge the display size of the handset. A user can easily view a web site or use an application that requires larger display area than the physical screen of the mobile phone.

- Multi-windows with controls
- Automated processing for focus movement and window-switching
- Transparent windows

Events automatically managed by the framework

Source code:
100 lines only!



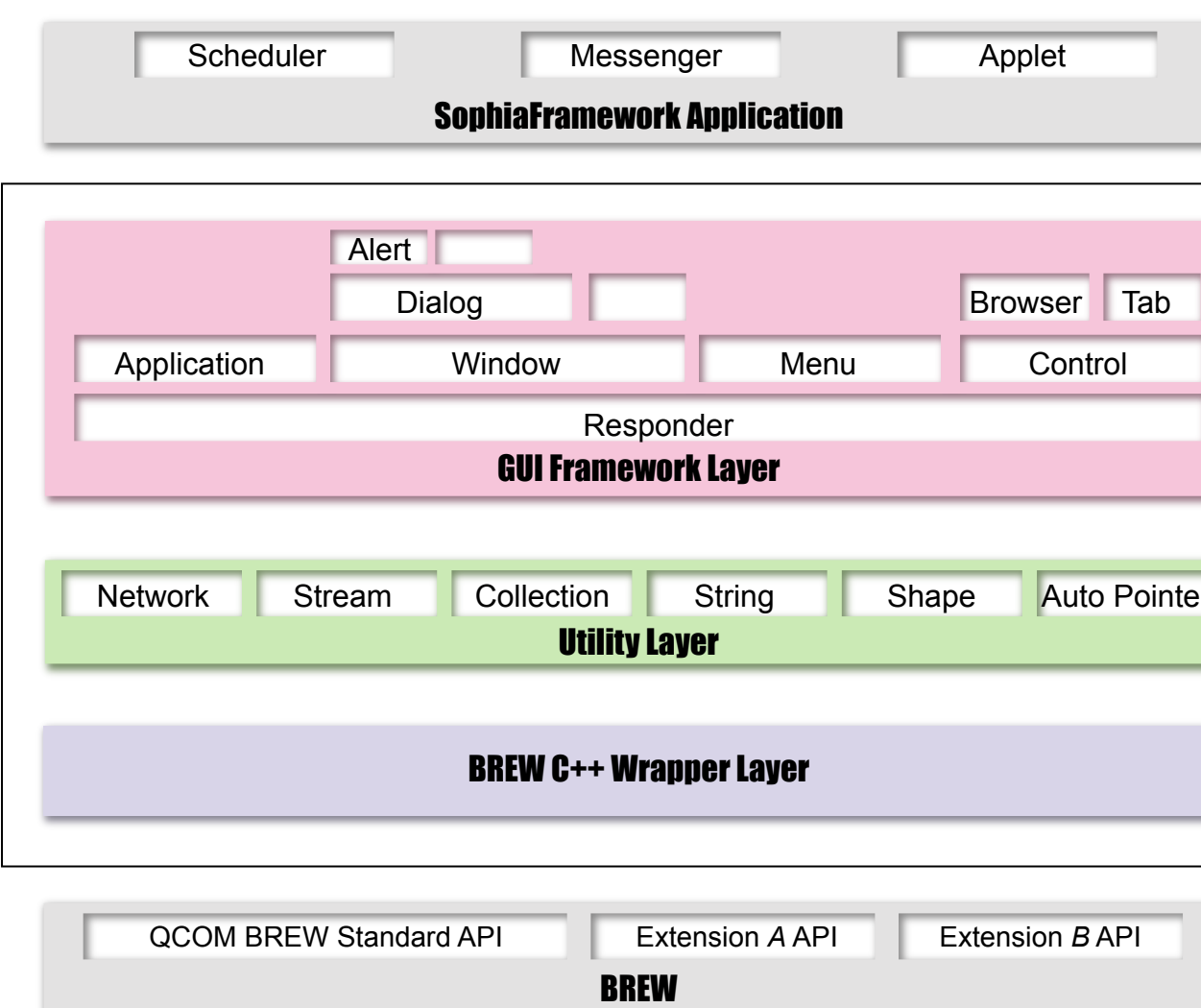
◆ SophiaBrowser demo

A demo browser application that enables a user to view multiple web sites at a time by switching the windows with tabs. For BREW, it is the world's first browser that implements the tab-switching system.

- Multi-windows controlled with tabs and combo-boxes
- User-defined colors for controls
- Increased usability

:: Architecture of SophiaFramework®

SophiaFramework provides a set of practical and improved APIs which you can use right there to make a full-featured BREW application. The three-layer architecture of SophiaFramework - GUI engine, utility library and C++ BREW wrapper classes - and the tested components ensure consistency, integrity and reliability to your BREW programming. As a result, development teams can reduce the time and cost while increasing quality and meeting user requirements.



◆ GUI Framework

- (helps to develop a sophisticated UI easily)
- full event-handling support
- automated UI drawing
- focus movement
- management of virtual drawing space

◆ Utility Library

- (a library that includes generally-used functions as APIs)
- utilities for network (HTTP, POP, SMTP, etc.)
- collection classes for handling data
- classes for stream and string processing
- classes are organized into hierarchies by the type of the processing

◆ BREW C++ Wrapper

- All the standard BREW APIs are provided as wrapped C++ classes.

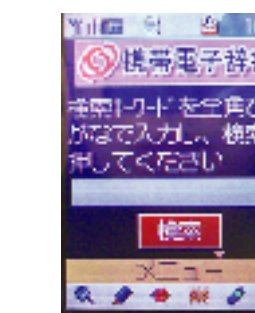
:: Products Made with SophiaFramework®



Sugomero Cho-search © MTI



Mimna de Apple © MTI



O-bunsha E-dictionary © MTI



weather forecast "Shunpatsu Appli" © MTI



Tsurikichi Navi © YAGUCHI,Takao/Kodansha © MTI

Here are just a few examples of official au(KDDI) applications developed with SophiaFramework. Some of them are pre-installed on KDDI handsets.

Become a smart BREW developer with SophiaFramework now!

A New and Effective Way of
BREW Development **5c**